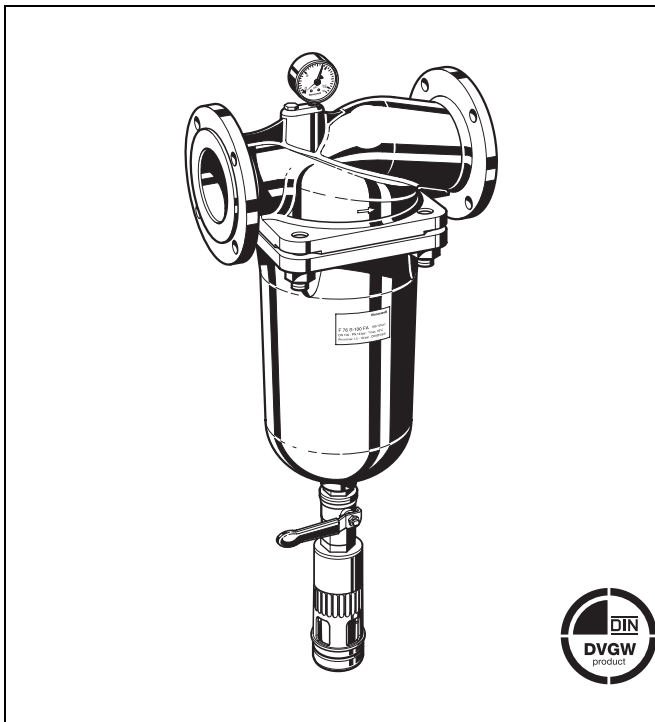


## F76S-F

### Reverse rinsing fine filter with flanges

#### Product specification sheet



#### Construction

The fine filter comprises:

- Housing with pressure gauge
- PN 16 flanges to DIN 86021
- Fine filter in filter bowl
- Ball valve with lever and drain connection

#### Materials

- Red bronze housing and filter bowl
- Stainless steel, red bronze and brass inner parts
- Stainless steel fine filter

#### Application

F76S-F flanged reverse rinsing filters are for installations with high water demand. They can be used in large residential buildings, for central water supply and in commercial or industrial applications. F76S-F flanged filters have the same highly efficient reverse rinsing filtering system as the range of household fine filters. The F76S-F can be retrofitted with the Z11AS fully automatic reverse rinsing actuator and the DDS76 differential pressure switch. The use of a filter in a system prevents the ingress of foreign bodies, for example rust particles, strands of hemp and grains of sand.

#### Special Features

- DIN/DVGW approved
- Filtered water supplied even during reverse rinsing
- Filter insert fully replaceable
- Patented reverse rinsing system - fast and thorough cleaning of the filter with small amount of water
- Fully automatic reverse rinsing with retrofittable automatic reverse rinsing actuator
- Differential pressure switch can be retrofitted
- Reverse rinsing strainer mesh is covered during normal operation
- Red bronze construction gives high level of corrosion protection
- Forced flow provides optimal water exchange in the filter bowl
- Meets KTW recommendations for potable water
- Standardised discharge connection

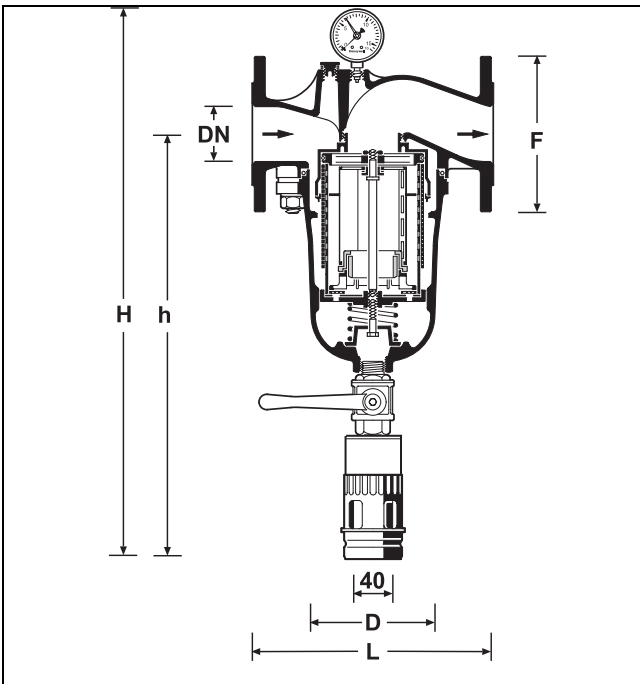
#### Range of Application

Medium Water

The filter is constructed for drinking water installations. In case of a process water application the filter has to be proven individually.

#### Technical Data

Installation position	Horizontal, with filter bowl downwards
Operating pressure	Minimum 1.5 bar Maximum 16.0 bar
Operating temperature	Maximum 70 °C
Connection size	DN 65 - DN 100



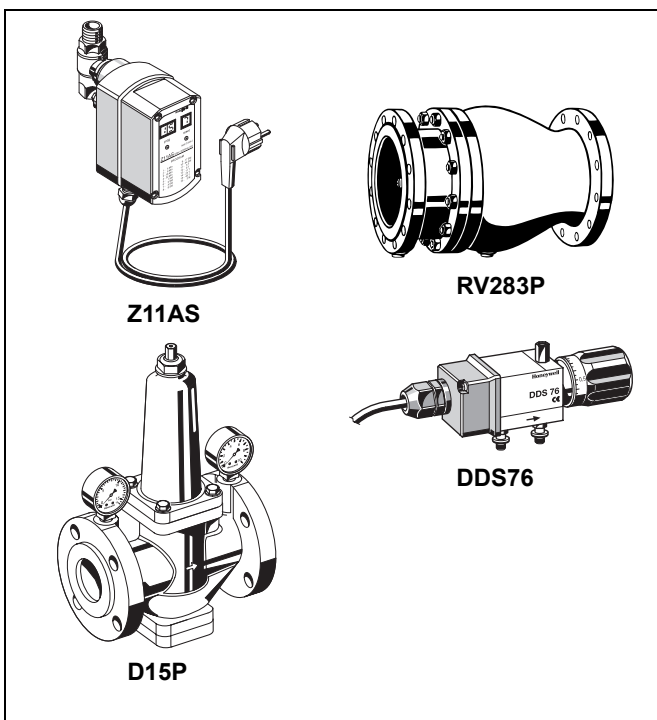
### Method of Operation

The filter insert is divided into two parts. In the „filtering“ position, only the lower, larger section is rinsed through by water jets from outside to inside. The small upper section does not come in contact with unfiltered water. When the ball valve is opened for reverse rinsing, then the whole filter insert is pushed downwards until the water supply to the outer side of the main filter is stopped. Simultaneously, the water flow is opened to the upper part of the filter. The water needed for cleaning the filter passes through the upper filter section, then the rotating impeller and the main filter from inside to outside, i.e. the filter is reverse rinsed with filtered water. In that way the upper filter is also cleaned by jets from the impeller. The filter automatically switches back to the operating position when the ball valve is closed again.

### Options

- F76S-...FA = Filter mesh size 100 µm
  - F76S-...FB = Filter mesh size 20 µm
  - F76S-...FC = Filter mesh size 50 µm
  - F76S-...FD = Filter mesh size 200 µm
  - F76S-...FF = Filter mesh size 500 µm
- └─┬─┘  
Connection size

Connection size	DN	65	80	100
Weight	approx. kg	24	36	50
Dimensions	mm			
	L	290	310	350
	H	620	714	814
	h	471	565	652
	D	175	225	250
F	185	200	220	
Flow value at $\Delta p = 0.2 \text{ bar}$	$\text{m}^3/\text{h}$	39	56	71
$K_{vs}$ -value		90	125	158
DIN/DVGW Approval No.		NW-9301 AT 2531		



### Accessories

#### Z11AS Automatic reverse rinsing actuator

For automatic reverse rinsing of the filter at presettable intervals

#### D15P Pressure reducing valve

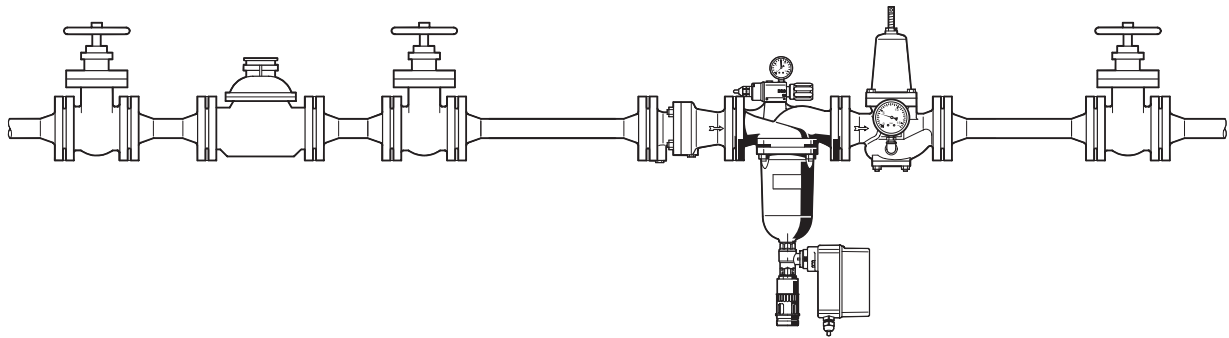
Grey cast iron housing, powder coated inside and outside.  
Available in sizes DN 50 - 200

#### RV283P Check valve

Grey cast iron housing, powder coated inside and outside. DIN/DVGW tested in compulsory test sizes DN 65, DN 80 and DN 100

#### DDS76 Differential pressure switch

### Installation Example



### Installation Guidelines

- Install in horizontal pipework with filter bowl downwards
  - This position ensures optimum filter efficiency
- Install shutoff valves
- Ensure good access
  - Pressure gauge can be read off easily
  - Simplifies maintenance and inspection
- The installation location should be protected against frost
- Fit immediately after water meter
  - Corresponds to DIN 1988, Part 2

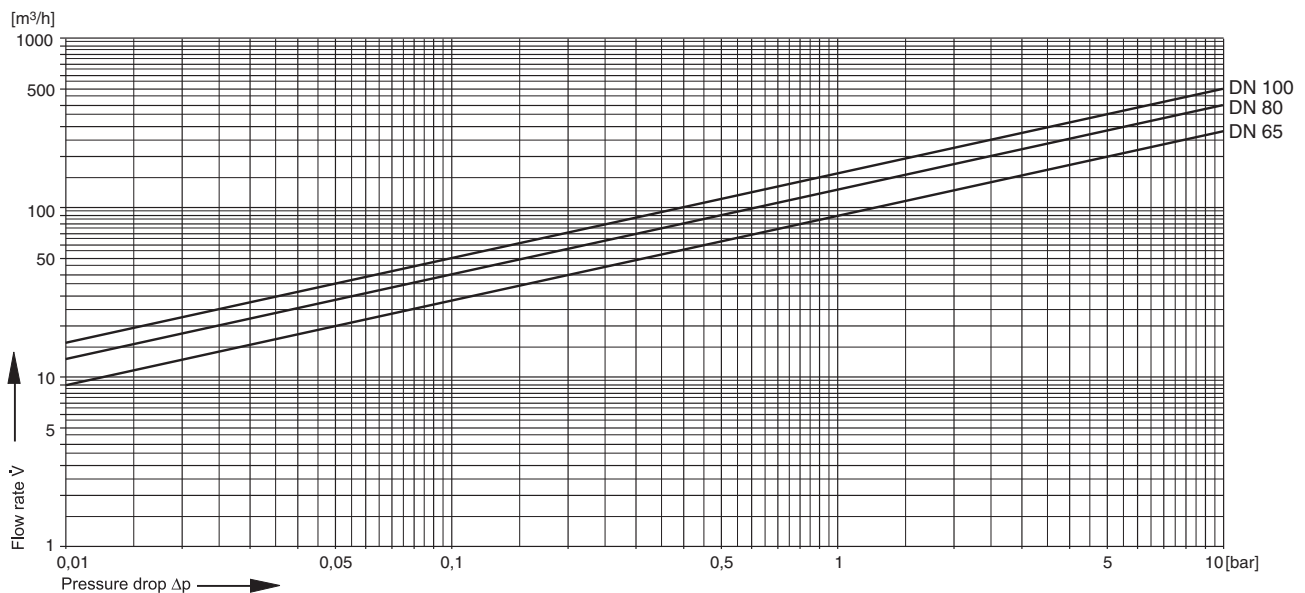
### Typical Applications

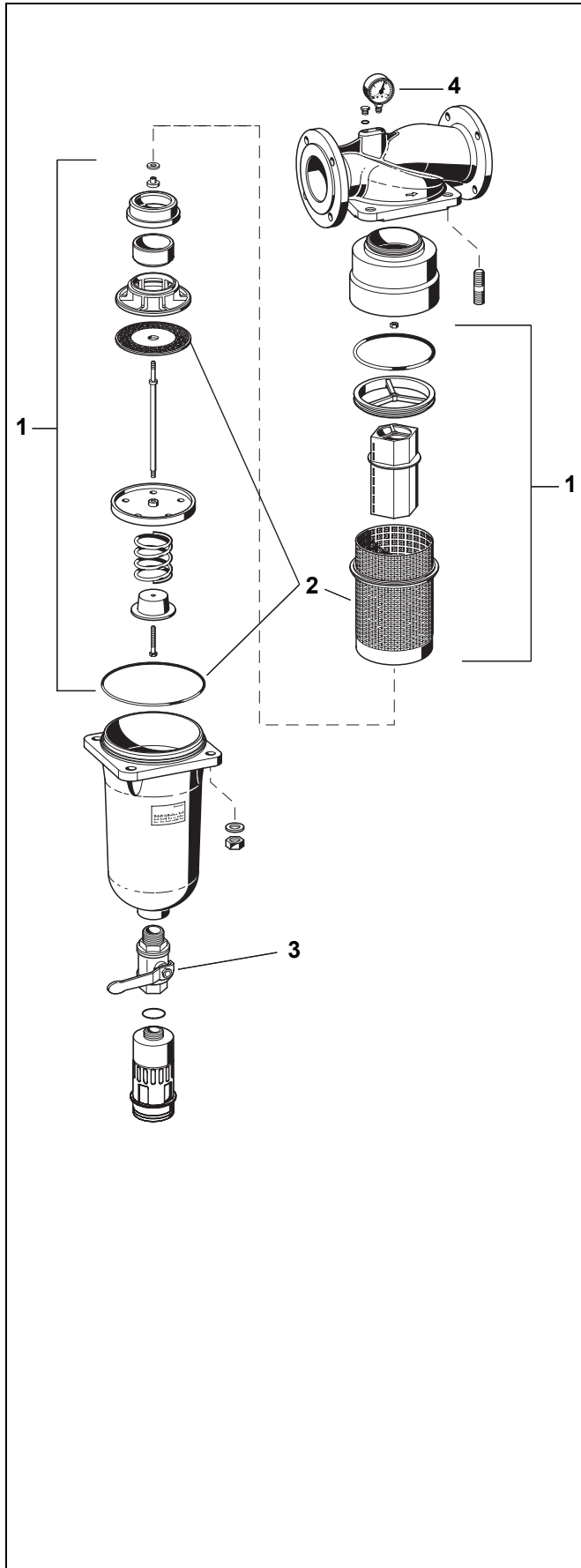
Fine filters of this type are suitable for large residential buildings, commercial and industrial applications and for central water supply systems within the limits of their specifications.

Fine filters of this type are installed:

- Where there is existing metal or plastics pipework
- In transfer points for central water supply systems when drainage is available
- If the downstream system includes appliances which must be protected against dirt

### Flow Diagram





**Spare Parts**

**F76S-F Fine Filters with Flanges**

No.	Description	Dimension	Part No.
1	Filter insert complete	DN 65	AF76S-65A
		DN 80	AF76S-80A
		DN 100	AF76S-100A
	Filter mesh 200 µm	DN 65	AF76S-65D
		DN 80	AF76S-80D
		DN 100	AF76S-100D
	Filter mesh 50 µm	DN 65	AF76S-65C
		DN 80	AF76S-80C
		DN 100	AF76S-100C
2	Replacement sieve	DN 65	ES76S-65A
		DN 80	ES76S-80A
		DN 100	ES76S-100A
	Filter mesh 200 µm	DN 65	ES76S-65D
		DN 80	ES76S-80D
		DN 100	ES76S-100D
	Filter mesh 50 µm	DN 65	ES76S-65C
		DN 80	ES76S-80C
		DN 100	ES76S-100C
Filter mesh 500 µm	DN 65	ES76S-65F	
	DN 80	ES76S-80F	
	DN 100	ES76S-100F	
3	Ball valve		5622100
4	Pressure gauge		M76K-A16
		0 - 16 bar	

**Automation and Control Solutions**

Honeywell GmbH  
 Hardhofweg  
 D-74821 Mosbach  
 Phone: (49) 6261 810  
 Fax: (49) 6261 81309  
<http://europe.hbc.honeywell.com>  
[www.honeywell.com](http://www.honeywell.com)

Manufactured for and on behalf of the  
 Environmental and Combustion Controls Division  
 of Honeywell Technologies Sàrl, Rolle, Z.A. La  
 Pièce 16, Switzerland by its Authorised Repre-  
 sentative Honeywell GmbH

EN0H-1117GE23 R0808  
 Subject to change without notice  
 © 2008 Honeywell GmbH

**Honeywell**